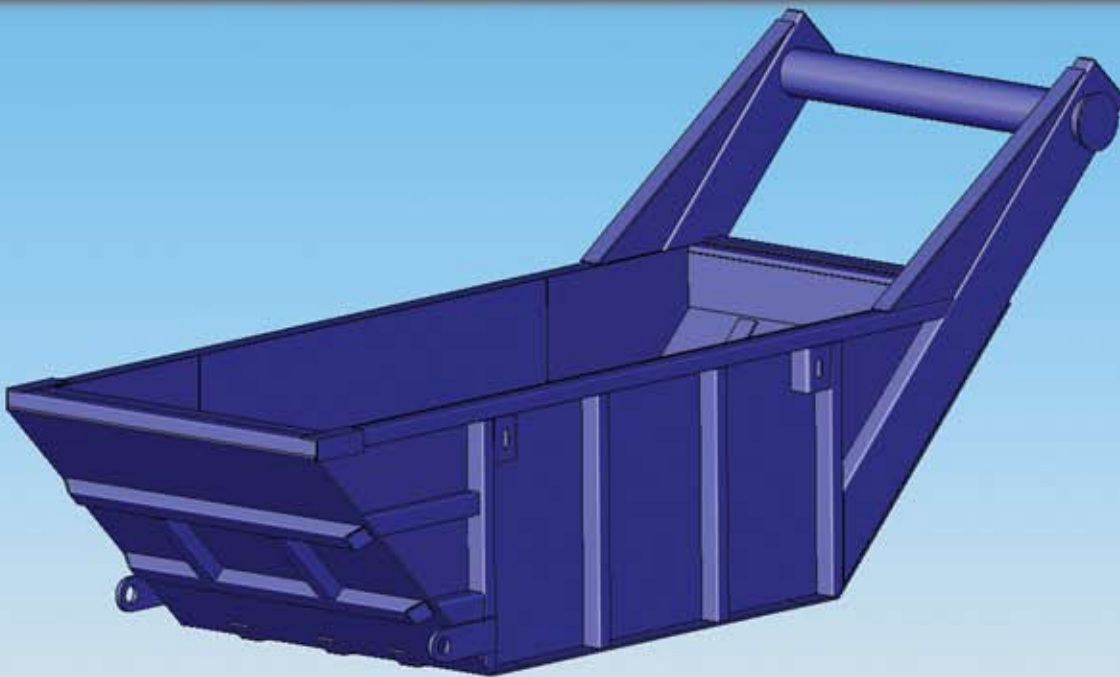


### **GBX** EXTREME DUTY GRAVEL BOX

**Substantially reduce wasted material and increase jobsite efficiency with a GBX gravel box from Burchland.**

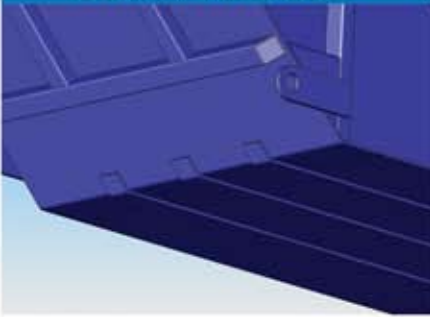


#### Standard Features

- 3/8 In. side plates
- 1/2 In. bottom plate
- 1/2 In. end plates
- Heavy duty lift bar
- Tow lugs
- Bottom wear bars
- 1/2 In. tear strips inside box

## Features and Specifications

**Bottom Wear Bars**



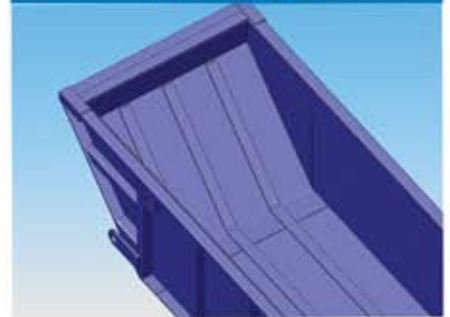
Wear strips on the bottom of the box add durability. Formed strips wrap around the bottom edge to prevent plowing and increase strength.

**Grab Arm Gussets**



Gussets run the entire length of the grabber arms to increase strength.

**Tear Strips**



Wear strips on the inside of the box increase durability.

**Lift Points**



Heavy duty lift points. Slots large enough to run a chain through can be used as a tie down point.

**Grab Bar**



Grab bar is a heavy duty 8" schedule 80 pipe.

**Tow Lugs**



Heavy duty tow lug.

Standard GBX gravel boxes are built heavy and built to last. They are made to handle the abuse that an excavator can dish out. Floors and ends are built with 1/2" plate. Tear strips on the floor increase strength and help prevent wear. Formed wear strips on the bottom help prevent plowing while adding strength and durability. Sides are made from 3/8" plate. Heavy wall 3" x 4" tubing on the sides and ends prevents flexing and punctures. The grabber tube is an 8" sch. 80 pipe. Gussets run the entire length of the grabber arm for extra strength. Heavy duty lift points come standard and make an excellent tie down point for transport.

**CUSTOM SIZES & FEATURES AVAILABLE**  
Call 641-498-2063 for information

**Standard GBX Gravel Box Specifications**

| MODEL  | CAPACITY (CU. YDS.) | INSIDE HEIGHT (IN.) | INSIDE WIDTH (IN.) | INSIDE LENGTH (IN.) | WEIGHT (LBS.) |
|--------|---------------------|---------------------|--------------------|---------------------|---------------|
| GBX-5  | 5                   | 36                  | 63.25              | 116.25              | 4850          |
| GBX-7  | 7                   | 48                  | 63.25              | 143.25              | 6175          |
| GBX-9  | 9                   | 48                  | 63.25              | 164.25              | 6675          |
| GBX-12 | 12                  | 48                  | 75.25              | 183.25              | 7850          |
| GBX-18 | 18                  | 60                  | 87.25              | 201.25              | 9350          |

**BURCHLAND™**

3311 Yates Avenue, Gilman, IA 50106  
641-498-2063, Fax 641-498-2540, [www.burchlandmfg.com](http://www.burchlandmfg.com)